



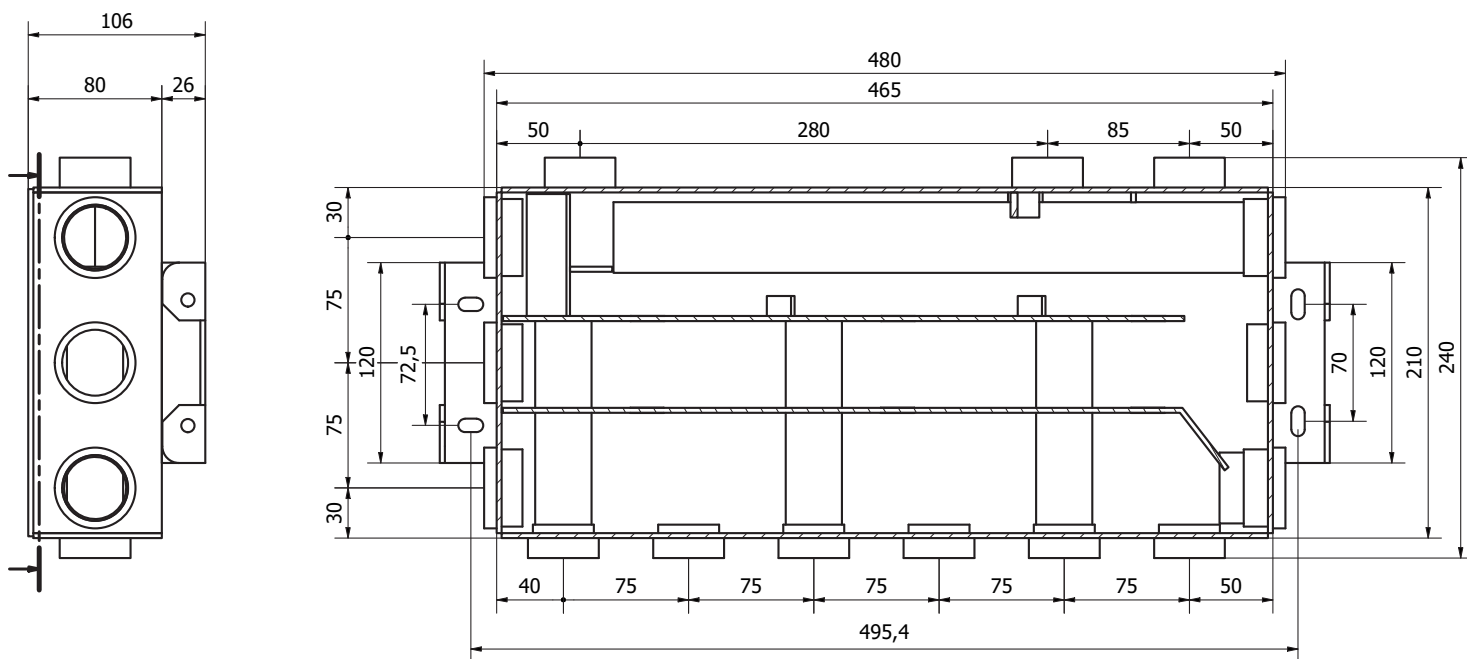
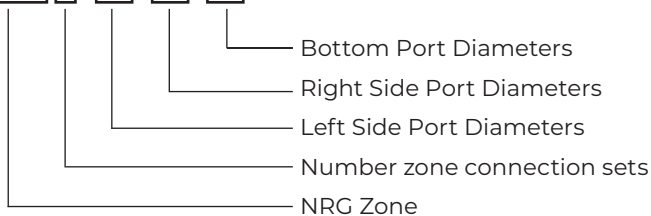
## NRG Zone 5 - 32/32/28

SKU: NRGZ5-32/32/28

Manifold with 6 x 1 ¼" Connections on the sides, 6 x 1" connections on the bottom and 3 x 1" connections on the top - Insulated.

### Product code explanation

NRGZ | 5 | - 32 / 32 / 28



### NRG ZONE ADVANTAGES:

- Usable for single appliance systems or interlinking multiple heat inputs from boilers, heat pump etc.
- Used to interlink appliances to controlled zones.
- Built-in; bypass, air separation function and system neutral point.
- Simplifies solid fuel installation and systems interlinking
- Trouble-free operation with increased safety and system efficiency
- Standard units are fully insulated
- Simple or complex systems for domestic or commercial applications designed in minutes
- Reduce installation labour, materials and over- all system costs.
- Easily configured as a chemical dosing vessel
- Optimise system conditions for, heat pumps, condensing oil or gas boilers and solid fuel appliances to improve efficiency and reduce running costs.

